

## INSTALLATION SPECIFICATION SHEET

These instructions must be used in conjunction with the 'General Installation Instructions' for Masport wood fires.

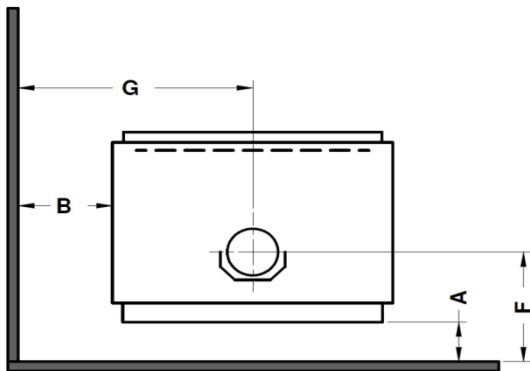
**Important Note: Masport Mackenzie R10000 model needs to be installed with specific flue shield, flue diverter plate and 500x500mm ceiling plate. The Glen Dimplex warranties will void unless fitted with these components, which are supplied with the fire and Masport flue kit GDFLU013M.**

### CLEARANCE REQUIREMENTS

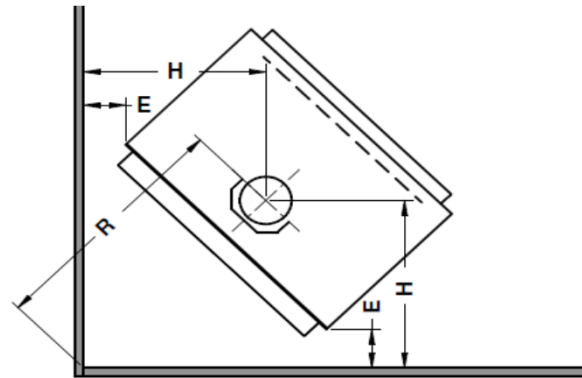
This fire has been tested and complies to the Australian/New Zealand Standard AS/NZS 2918:2001 and all installations must be in accordance with the minimum clearances to combustibles indicated in these instructions.

The minimum clearances to combustibles may be reduced if the combustible walls are shielded with an approved non-combustable material. Details of suitable materials and appropriate clearance reduction factors are present in Section 3 of AS/NZS 2918:2001.

### POSITIONING YOUR FREE-STANDING WOODFIRE



PARALLEL INSTALLATION



CORNER INSTALLATION

### NEW ZEALAND

MINIMUM DISTANCES TO HEAT SENSITIVE WALLS (mm)

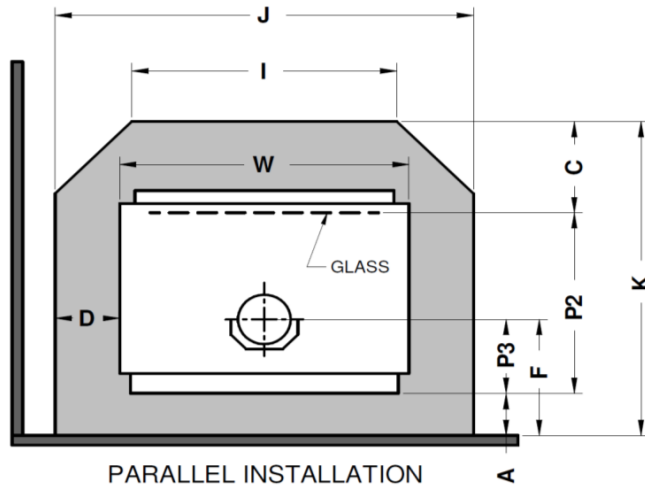
MODEL	FLUE SYSTEM & FLUE SHIELD	A	B	E	F	G	H	R§
Mackenzie R10000 (SW)(Dry & Wet)	MASPORT FLUE + MASPORT 900mm DOUBLE SKIN SHIELD + TOP FLUE DIVERTER PLATE + 500x500 Ceiling Plate	150	400	160	350	795	550	778

§ Valid only when the room walls are at 90° to each other.

‡ Note: Clearances are for fire hazard only. For durability of finishes or surfaces you should contact the relevant manufacturer for their specification. Masport accepts no responsibility for the deterioration of surfaces or finishes.

# FLOOR PROTECTOR (Hearth) REQUIREMENTS PARALLEL INSTALLATION

MINIMUM FLOOR PROTECTOR DIMENSIONS IN mm



# DIMENSIONS IN THE TABLE ARE VALID ONLY WHEN THE FIRE IS EXACTLY AT ITS MINIMUM ALLOWABLE WALL CLEARANCE.

## NEW ZEALAND

MODEL	Flue Shield	Floor Protector height	A#	C#	D	F	I	J	K#	P2	P3	W	Floor Protector Type Ø
Mackenzie R10000 (SW)(Dry & Wet)	RDS	ANY	150	300	87	350	664	964	1070	620	200	790	AFP

RDS = MASPORT DOUBLE SKIN SHIELD 900mm HIGH + TOP DIVERTER PLATE + 500x500 Ceiling Plate

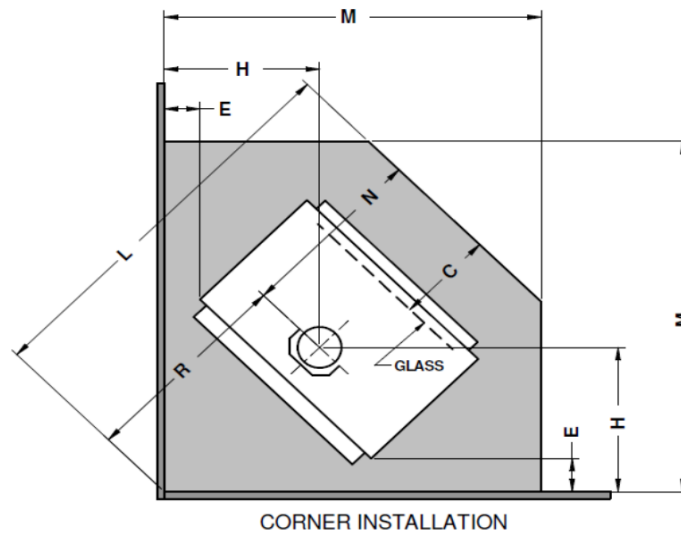
AFP = ASH FLOOR PROTECTOR

Ø for minimum constructional requirements see general installation instructions.

# Valid only when the fire is exactly at its minimum allowable wall clearance.

# FLOOR PROTECTORS (Hearth) REQUIREMENTS CORNER INSTALLATION

MINIMUM FLOOR PROTECTOR DIMENSIONS IN mm



# DIMENSIONS IN THE TABLE ARE VALID ONLY WHEN THE FIRE IS EXACTLY AT ITS MINIMUM ALLOWABLE WALL CLEARANCE.

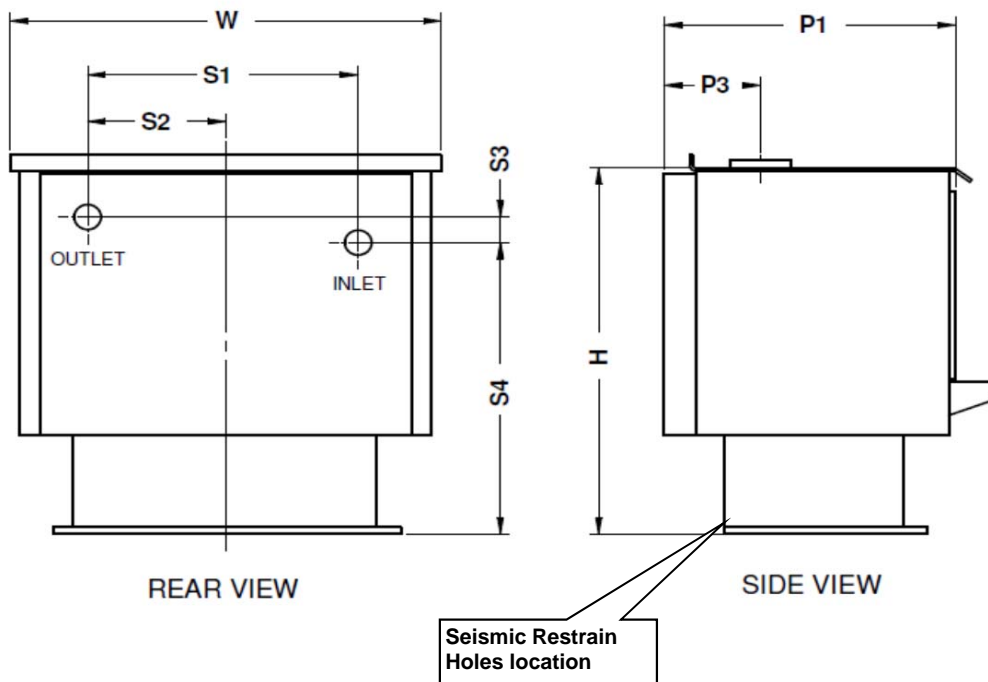
## NEW ZEALAND

MODEL	Flue Shield	Floor Protector Distance above Floor	C	E	H#	L#	M#	N	R#	FLOOR PROTECTOR TYPE
Mackenzie R10000 (SW)(Dry & Wet)	RDS	ANY	300	160	550	1498	1294	720	778	ASH

RDS = MASPORT DOUBLE SKIN SHIELD 900mm HIGH + TOP DIVERTER PLATE + 500x500 Ceiling Plate

AFP = ASH FLOOR PROTECTOR

## FREE STANDING FIRE DIMENSIONS

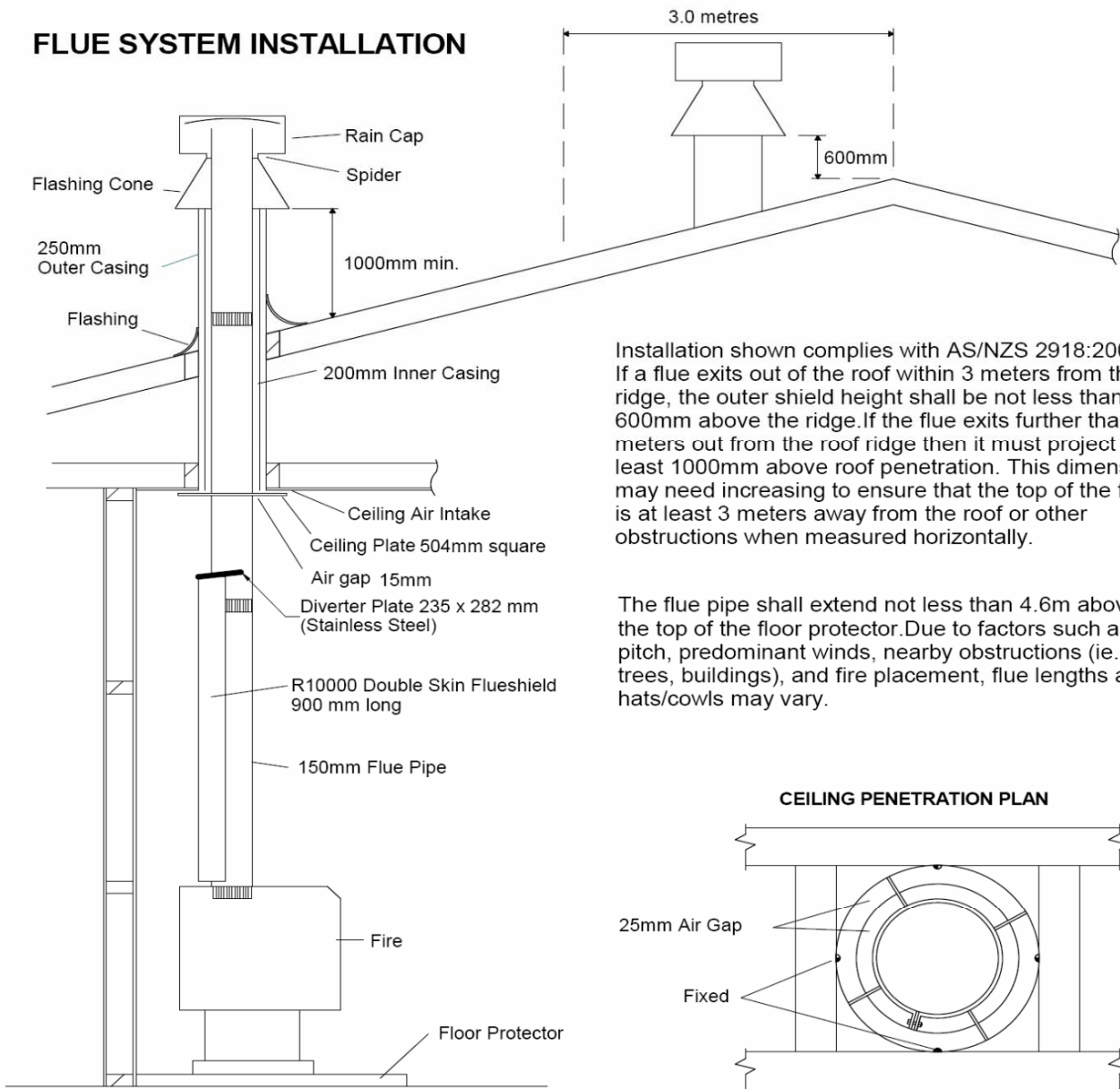


MODEL		P1	P3	H	W	S1	S2	S3	S4
Mackenzie R10000 (SW)(Dry & Wet)		623	200	798	790	340	170	20	615

**Seismic Restrain** - In New Zealand and some part of Australia, it is required that the wood fire and floor protector are secured to prevent shifting in the event of an earthquake. This is best done by fastening the wood fire right through the protector to the floor, using two screws not less than 12 guage or the equivalent size of coach bolts or toggle fasteners.

**THIS FLUE INSTALLATION DIAGRAM BELOW IS VALID FOR NZ INSTALLATIONS ONLY. FOR INSTALLATIONS IN AU PLEASE REFER TO SPECIFIC FLUE INSTALLATION SPECIFICATIONS SUPPLIED BY FLUE MANUFACTURER.**

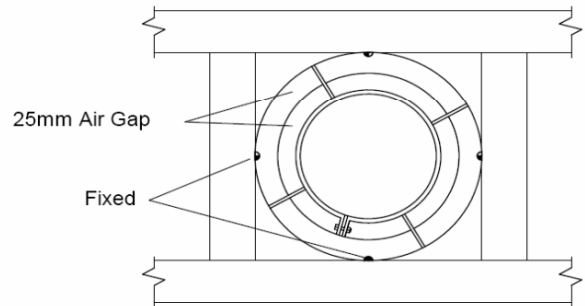
**FLUE SYSTEM INSTALLATION**



Installation shown complies with AS/NZS 2918:2001. If a flue exits out of the roof within 3 meters from the ridge, the outer shield height shall be not less than 600mm above the ridge. If the flue exits further than 3 meters out from the roof ridge then it must project at least 1000mm above roof penetration. This dimension may need increasing to ensure that the top of the flue is at least 3 meters away from the roof or other obstructions when measured horizontally.

The flue pipe shall extend not less than 4.6m above the top of the floor protector. Due to factors such as roof pitch, predominant winds, nearby obstructions (ie. trees, buildings), and fire placement, flue lengths and hats/cowls may vary.

**CEILING PENETRATION PLAN**



Above plan valid is only for flue systems manufactured by Glen Dimplex Australasia or Sheetmetal Fabricated Products Ltd, Auckland, New Zealand. For other products, use specific flue installation specifications supplied by the manufacturer.

FLUE SYSTEM INSTALLATION 150mm